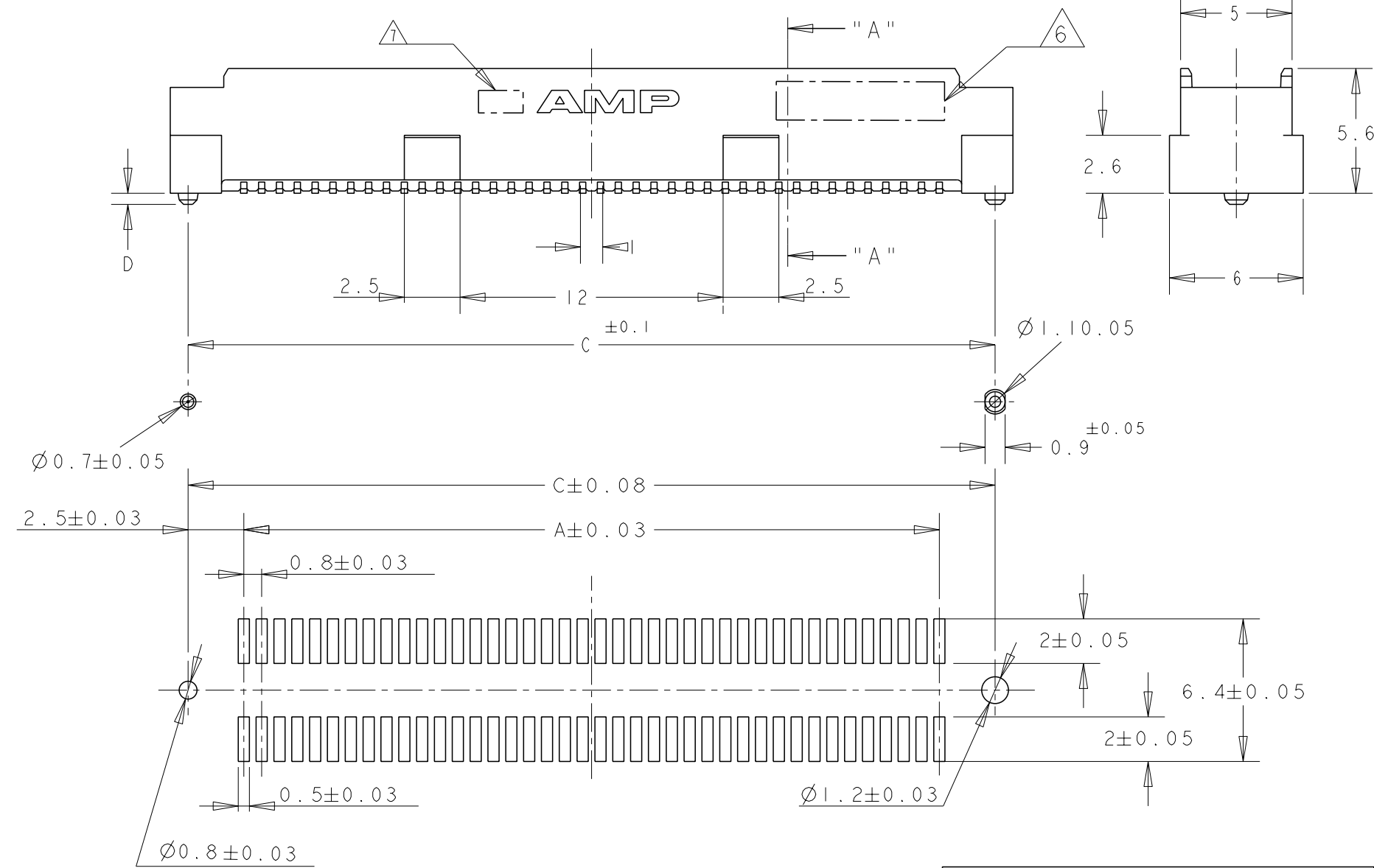
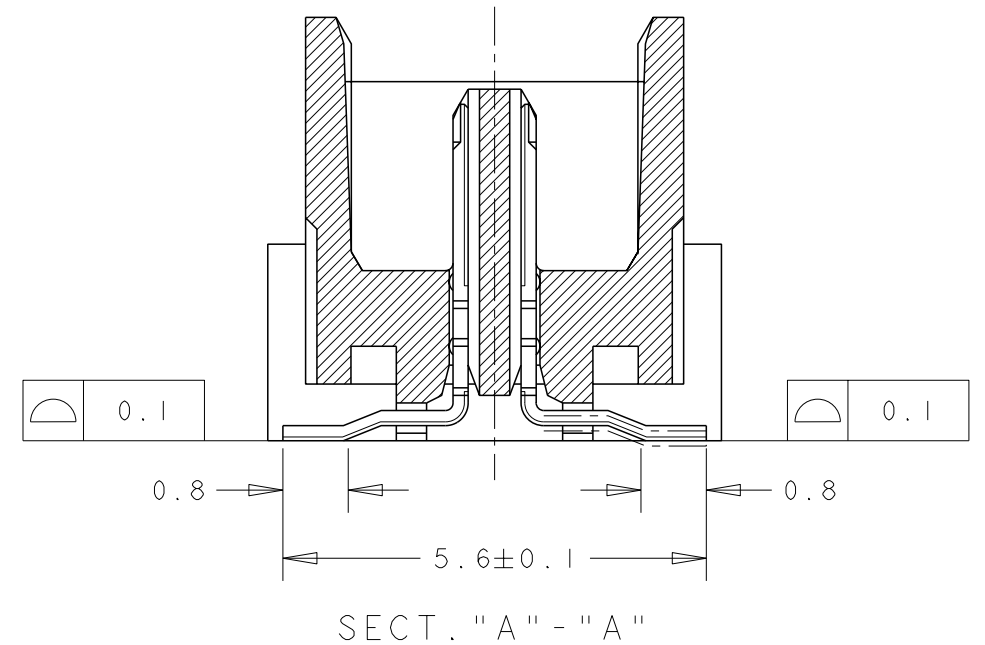
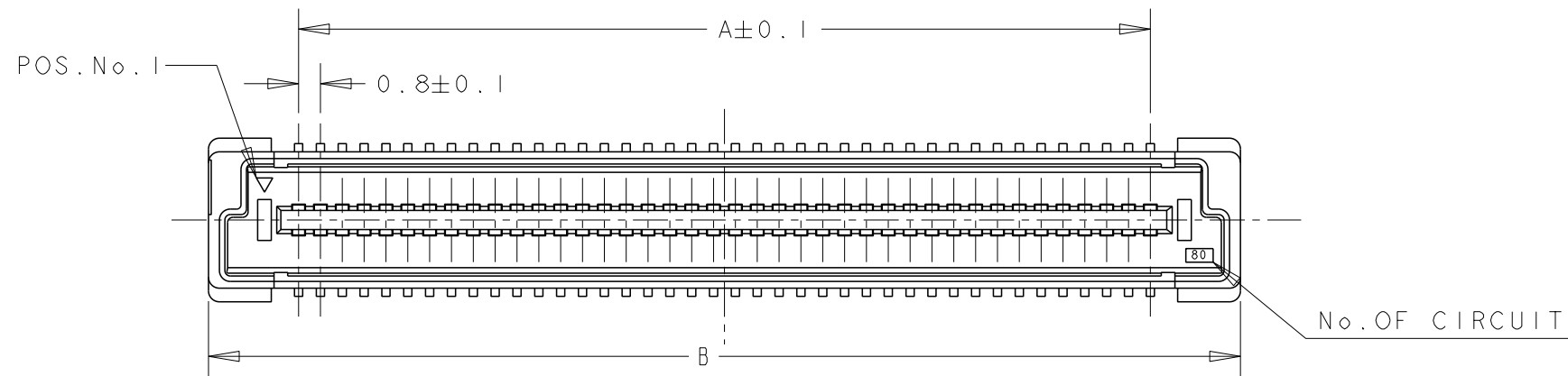


THIS DRAWING IS UNPUBLISHED. RELEASED FOR PUBLICATION 20
COPYRIGHT 20 BY - ALL RIGHTS RESERVED.

| REVISIONS | | | | | |
|-----------|-----|---------------------------|---------|-----|------|
| P | LTR | DESCRIPTION | DATE | DWN | APVD |
| | B2 | REVISED PER ECR-15-012048 | 20AUG15 | I.T | W.H |



- NOTES:
- 1 MATERIAL:
HOUSING: L.C.P (HIGH TEMP THERMO PLASTIC)
UL 94V-0, NATURAL.
CONTACT: BRASS.
 - 2 FINISH:
CONTACT AREA: 0.0002 MIN GOLD ON
0.0013 MIN ALL OVER NICKEL.
SOLDERING AREA: 0.002 MIN MATTE-TIN.
 - 3. POSITION SERIES: SEE TABLE.
 - 4. CONN STACK HEIGHT COMBINE OF PLUG "Y" H VS REC "X" H.
STACK HEIGHT = Y + X - 5
 - 5 OBSOLETE PARTS: OBSOLETE CIS STREAMINING PER D.RENAUD/D.SINISI.
 - 6 DATE CODE MARKING
 - 7 MANUFACTURE PLANT LOCATION MARK. QINGDAO:

P/N SEE SHEET 2 OF 2.

RECOMMENDED P.C BOARD LAYOUT

| | | | | | | |
|--|--|--------------------------------|--|----------------|-------------------------|--------------------|
| THIS DRAWING IS A CONTROLLED DOCUMENT. | | DWN FLORENCE TAN 30AUG04 | TE Connectivity | | | |
| DIMENSIONS: mm | | CHK ERIC TNG | | | | |
| TOLERANCES UNLESS OTHERWISE SPECIFIED: | | APVD SE LONG | NAME PLUG ASSEMBLY 6H TYPE (0.5 AND 0.8 BOSS LENGTH) FOR FH 0.8MM PITCH B-T-B CONNECTOR | | | |
| 0 PLC ±- | | PRODUCT SPEC 108-5390 | | | | |
| 1 PLC ±0.30 | | APPLICATION SPEC 114-5254 | SIZE A3 | CAGE CODE - | DRAWING NO C-5179029 | RESTRICTED TO - |
| 2 PLC ±0.25 | | WEIGHT - | SCALE 4:1 SHEET 1 OF 2 REV B2 | | | |
| 3 PLC ±0.20 | | CUSTOMER DRAWING | | | | |
| 4 PLC ± | | | | | | |
| ANGLES ±3° | | | | | | |
| FINISH | | | | | | |

THIS DRAWING IS UNPUBLISHED.

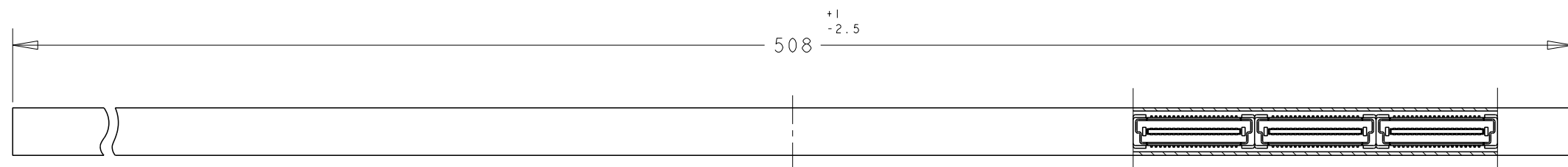
RELEASED FOR PUBLICATION

20

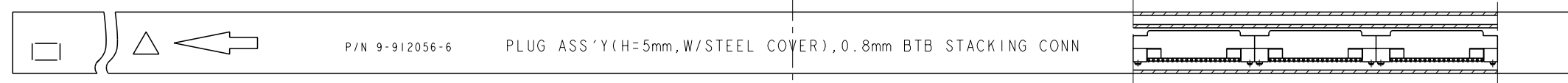
REVISIONS

© COPYRIGHT 20 BY - ALL RIGHTS RESERVED.

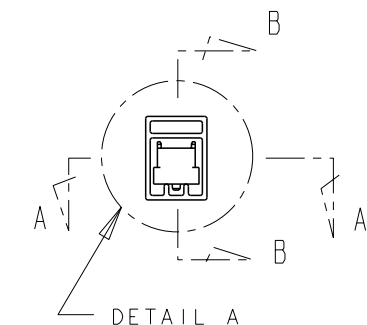
| P | LTR | DESCRIPTION | DATE | DWN | APVD |
|---|-----|------------------|------|-----|------|
| | | SEE SHEET 1 OF 2 | | | |



SECT A-A

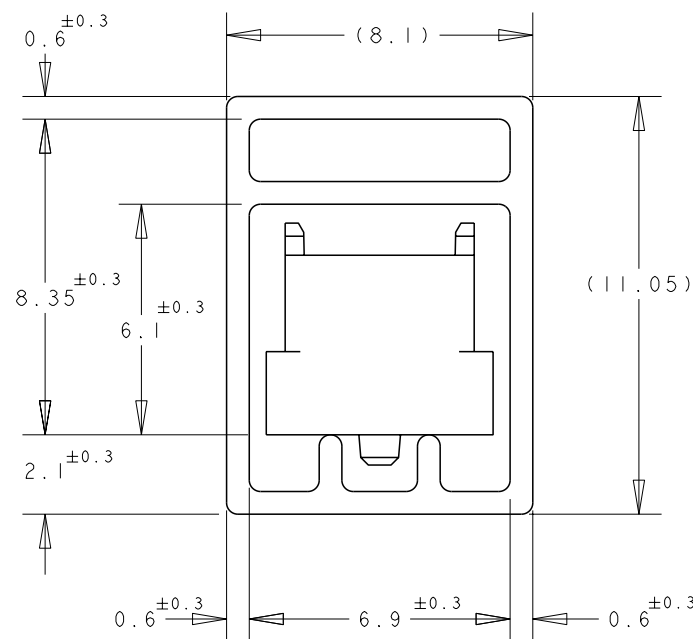


SECT B-B



P/N 9-912056-6 PLUG ASS'Y (H=5mm, W/STEEL COVER), 0.8mm BTB STACKING CONN

REFERENCE PICTURE OF TUBE PACK



DETAIL "B" (SCALE 5-1)

| | | | | | | | | |
|----------|----|-----|------|------|------|----------|----|-----------|
| 5 | 12 | 0.8 | 36.2 | 37.8 | 31.2 | 80 | 3 | 3 |
| 5 | 16 | 0.8 | 28.2 | 29.8 | 23.2 | 60 | 3 | 2 |
| 5 | 22 | 0.8 | 20.2 | 21.8 | 15.2 | 40 | 3 | 1 |
| | 5 | 0.5 | 84.2 | 85.8 | 79.2 | 200 | 1- | -0 |
| | 6 | | 76.2 | 77.8 | 71.2 | 180 | | -9 |
| | 6 | | 68.2 | 69.8 | 63.2 | 160 | | -8 |
| | 7 | | 60.2 | 61.8 | 55.2 | 140 | | -6 |
| | 9 | | 52.2 | 53.8 | 47.2 | 120 | | -5 |
| | 10 | | 44.2 | 45.8 | 39.2 | 100 | | -4 |
| | 12 | | 36.2 | 37.8 | 31.2 | 80 | | -3 |
| | 16 | | 28.2 | 29.8 | 23.2 | 60 | | -2 |
| | 22 | 0.5 | 20.2 | 21.8 | 15.2 | 40 | | 5179029-1 |
| QTY/TUBE | D | C | B | A | POS. | CONN P/N | | |

| | | | | |
|---|--|--------------------------------|--|-------------------------|
| THIS DRAWING IS A CONTROLLED DOCUMENT. | | DWN FLORENCE TAN 30AUG04 | TE TE Connectivity | |
| DIMENSIONS: mm | | CHK ERIC TNG | | |
| TOLERANCES UNLESS OTHERWISE SPECIFIED: | | APVD SE LONG | NAME PLUG ASSEMBLY 6H TYPE (0.5 AND 0.8 BOSS LENGTH) FOR FH 0.8MM PITCH B-T-B CONNECTOR | |
| 0 PLC ± 1 PLC ±0.30 2 PLC ±0.25 3 PLC ±0.20 4 PLC ± ANGLES ±3° | | PRODUCT SPEC 108-5390 | SIZE A3 | |
| MATERIAL | | APPLICATION SPEC 114-5254 | CAGE CODE - | DRAWING NO C-5179029 |
| FINISH | | WEIGHT - | RESTRICTED TO - | |
| | | CUSTOMER DRAWING | SCALE 4:1 | SHEET 2 OF 2 |
| | | | | REV B2 |

PROJ NO. 593-335